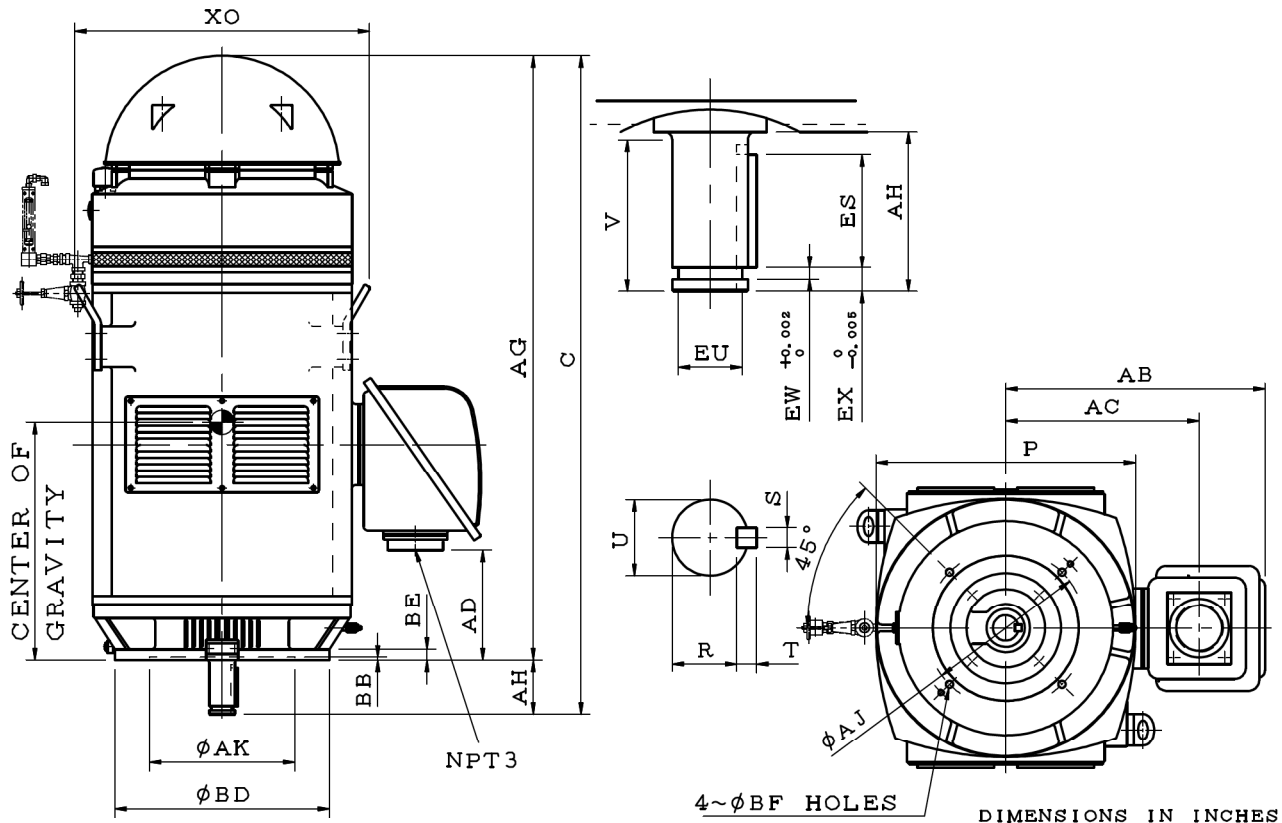


ISSUED
JAN. 16 2010
REVISED
OCT. 06 2016

OUTLINE DIMENSIONS SHEET
HIGH THRUST SOLIDSHAFT PUMP MOTORS
FRAME SIZE (SSV) 444VP ~ 449VP

MODEL
AMRCED

DRIP PROOF SQUIRREL CAGE, NEMA WEATHER PROTECTED I



FRAME SIZE (SSV)	MOUNTING						C	AG	XO	P	U	AH	V	CETER OF GRAVITY
	AK	AJ	BD	BF	BB	BE								
444VP	13.50	14.75	16.50	0.69	0.25	1.00	54.90	50.40	26.00	22.05	2.125	4.50	4.25	17.91
445VP	13.50	14.75	16.50	0.69	0.25	1.00	54.90	50.40	26.00	22.05	2.125	4.50	4.25	17.91
445VP20	13.50	14.75	20.00	0.69	0.25	1.00	56.80	50.80	27.55	24.00	2.875	6.00	5.50	17.40
447VP	13.50	14.75	20.00	0.69	0.25	1.00	61.80	55.80	27.55	24.00	2.875	6.00	5.50	20.24
449VP	13.50	14.75	20.00	0.69	0.25	1.00	65.93	59.93	27.55	24.00	2.875	6.00	5.50	22.60

FRAME SIZE (SSV)	EU	R	ES	EX	EW	S	T	TERMINAL HOUSING			BEARINGS	
								AB	AC	AD	UPPER END	LOWER END
444VP	1.750	1.845	3.03	0.75	0.375	0.500	0.500	23.05	16.95	7.95	7324B	6316C3
445VP	1.750	1.845	3.03			0.500	0.500	23.05	16.95	7.95	7324B	6316C3
445VP20	2.500	2.450	4.00	1.00	0.500	0.750	0.750	24.00	17.90	6.65	7326B	6318C3
447VP	2.500	2.450	4.00			0.750	0.750	24.00	17.90	8.95	7326B	6318C3
449VP	2.500	2.450	4.00			0.750	0.750	24.00	17.90	11.05	7326B	6318C3

- NOTE: 1. DIMENSION AK TOLERANCE: +0.005INCH, -0.000INCH
 2. DIMENSION U TOLERANCE: +0.000INCH, -0.001INCH
 3. DIMENSION R TOLERANCE: +0.000INCH, -0.015INCH
 4. DIMENSION EU TOLERANCE: +0.000INCH, -0.005INCH
 5. DIMENSION AH TOLERANCE: +0.06INCH, -0.06INCH
 6. FACE RUNOUT AND PERMISSIBLE ECCENTRICITY OF MOUNTING RABBET 0.007INCH INDICATOR READING
 7. PERMISSIBLE SHAFT RUNOUT 0.003INCH INDICATOR READING
 8. USABLE SHAFT LENGTH FOR V
 9. WITH BALL TYPE NON-REVERSE RATCHET MECHANISM.

APPD. M. HSU OCT. 06 2016
 CHKD. C. SHIH OCT. 06 2016
 DWN. J. HSIAO OCT. 06 2016

TECO Electric & Machinery Co., Ltd.

DWG NO. 4B049M683E
REV.01